

CLV-50

CHECK VALVE / LIFT TYPE

GENERAL FEATURES

Check valves are commonly used armatures that can be applied for liquids, gases and steam applications. They increase safety and can substitute complicated armatures based on situation.

The working part of the check valves is a hinged disk. This disc can move freely on the hinge pin on one side. It works automatically with fluid motion. When the fluid is flowing in one direction, the disc opens and permits passage. If the flow is reversed, the disc closes. Thus, the flow on the line connecting the check valve is one way.

Ayvaz CLV-50 spring check valves are important for all installations. Check valves are the most important armatures to be taken against water hammer that damage steam installations and armatures.

Product Material

Body: GG-25 Cast Iron

Inner Components: AISI 304 Stainless Steel

Connection:

Flanged

Nominal Diameter:

DN15 (1/2") – DN300 (12")

Pressure:

Max. 16 bar

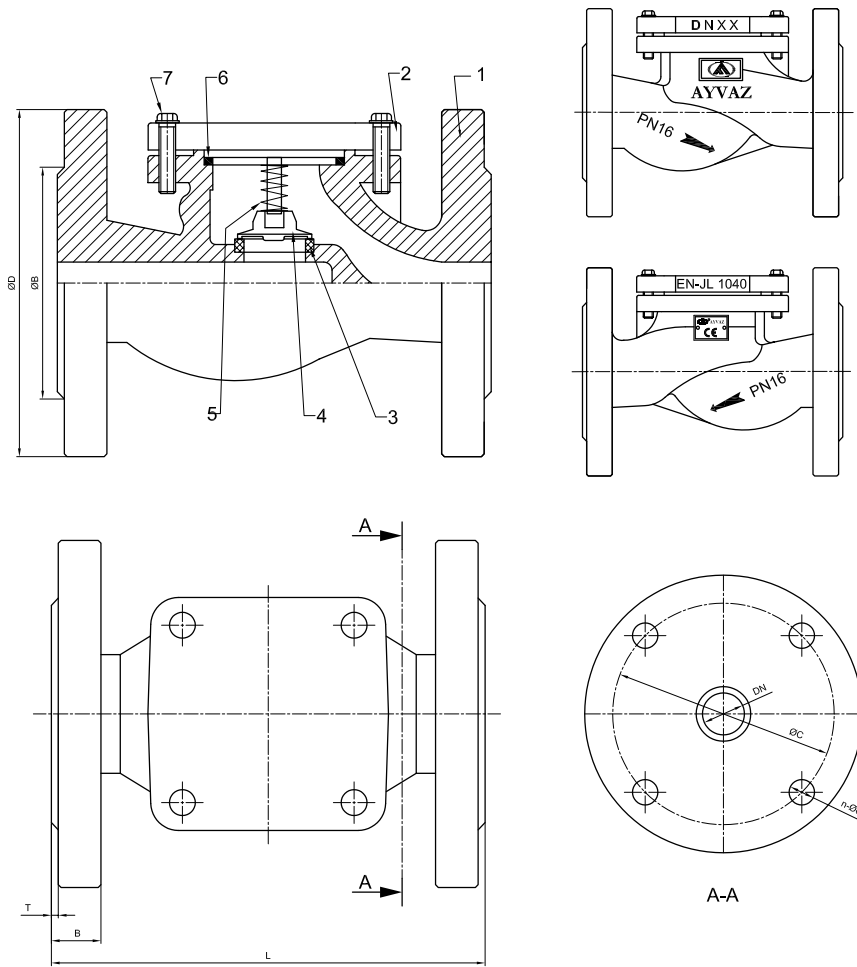
Temperature Range

Based on material from -10°C to 180°C

Application Areas

- Steam
- Superheated water
- Hot / cold water
- Non-acidic fluids
- Chemical fluids
- Compressed air

CLV-50 CHECK VALVE / LIFT TYPE



DIMENSIONS							
DN	L ± 1	B + 2	T	ØD ± 1	ØB ± 1	ØC ± 1	n-Ød
15	130	14	2	95	45	65	4-14
20	150	16	2	105	58	75	4-14
25	160	16	2	115	68	85	4-14
32	180	18	2	140	78	100	4-18
40	200	18	2	150	88	110	4-18
50	230	20	3	165	102	125	4-18
65	290	20	3	185	122	145	4-18
80	310	22	3	200	138	160	8-18
100	350	24	3	220	158	180	8-18
125	400	26	3	250	188	210	8-18
150	480	26	3	285	212	240	8-22
200	600	30	3	340	268	295	12-22
250	730	32	4	405	320	355	12-26
300	850	32	4	460	378	410	12-26

PART LIST		
No	Part Name	Material
1	Body	GG-25 Cast Iron
2	Cover	GG-25 Cast Iron
3	Stainless Steel Ring	AISI 304
4	Disc	AISI 304
5	Spring	AISI 304
6	Gasket	Cr – Ni Pure Graphite
7	Nut	Carbon Steel



HEAD OFFICE - FACTORY

Atatürk Sanayi Bölgesi Hadımköy Mahallesi Mustafa İnan Caddesi No: 44 Arnavutköy - İSTANBUL
 Tel: +90 212 771 01 45 (pbx) | Fax: +90 212 771 47 27
 info@ayvaz.com | www.ayvaz.com

Cona
Caserta/Italy
 Tel: +39 0823 187 3988
 rmolaro@ayvaz.com

Ayvaz Russia
Moscow/Russia
 Tel: +74959951728
 ayvazrus@ayvaz.com

Ayvaz Germany
Viernheim/Germany
 Tel: +49 62046014399
 germany@ayvaz.com

Ayvaz Ukraine
Kiev/Ukraine
 Tel: +380 44 390 57 57
 info@ayvaz.com.ua

Tricorr
Warsaw/Poland
 Tel: +48-32-783-295-1
 tricorr@tricorr.eu

Hacı Ayvaz M.E.
Dubai/U.A.E
 Tel: +971 563550822
 +971 501306871
 mideast@ayvaz.com

Ayvaz China
Cixi City/China
 Tel: +86 0574 5897 3851
 info@ayvazchina.com

Ayvaz Kazakhstan LLP
Almaty/Kazakhstan
 Tel: +7 (727) 327 97 57
 info_kz@ayvaz.com
 www.ayvaz.kz

Ayvaz N
Isperih/Bulgaria
 Tel: +359 8431 27 32
 office@ayvaz-n.eu

Ayvaz Serbia
Belgrad/Serbia
 Tel: +381 61 658 70 52
 yakbiyik@ayvaz.com